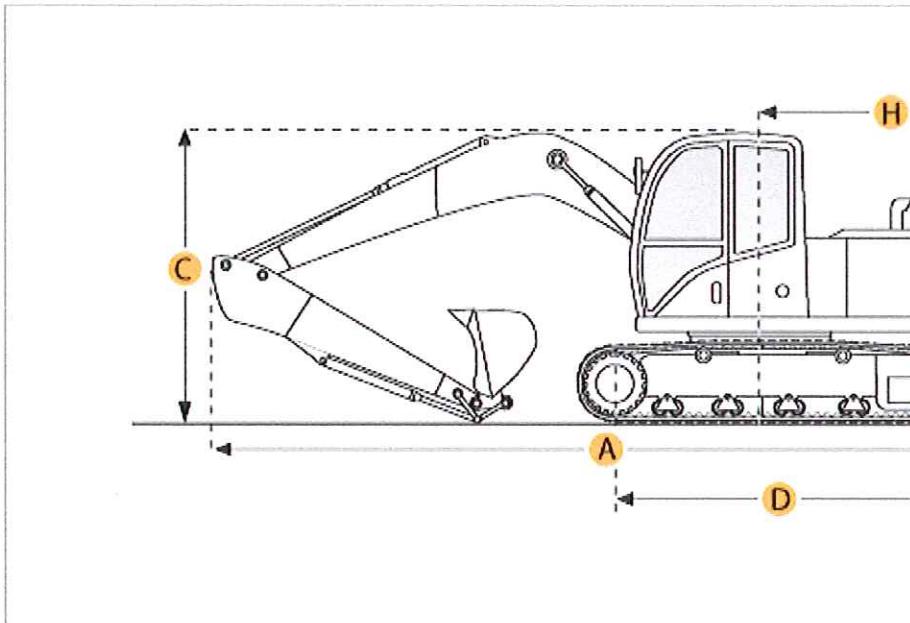


RITCHIE Specs Everything about Equipment

[Home](#) → [Spec Search](#) → [All Types](#) → [Hydraulic Excavator](#) → [Kobelco](#) → SK210 LC

KOBELCO SK210 LC HYDRAULIC EXCAVATOR

 Print specification



Selected Dimensions

Boom/Stick Option Boom/Stick Option (HEX) 1

A. SHIPPING LENGTH OF UNIT	31 ft in	9450 mm
C. SHIPPING HEIGHT OF UNIT	9.9 ft in	3030 mm
I. MAX CUTTING HEIGHT	31.9 ft in	9730 mm
J. MAX LOADING HEIGHT	22.7 ft in	6910 mm
K. MAX REACH ALONG GROUND	31.9 ft in	9730 mm
L. MAX VERTICAL WALL DIGGING DEPTH	20 ft in	6100 mm
M. MAX DIGGING DEPTH	22 ft in	6700 mm

Dimensions

B. WIDTH TO OUTSIDE OF TRACKS	10.5 ft in	3190 mm
D. LENGTH OF TRACK ON GROUND	12 ft in	3660 mm
E. GROUND CLEARANCE	1.5 ft in	450 mm
G. HEIGHT TO TOP OF CAB	9.6 ft in	2930 mm
H. TAIL SWING RADIUS	9 ft in	2750 mm
O. COUNTERWEIGHT CLEARANCE	3.5 ft in	1060 mm

Undercarriage

F. TRACK GAUGE	7.8 ft in	2390 mm
N. SHOE SIZE	31.5 in	800 mm

Specification

Engine

MODEL	F4GE9684E-J6	
NET POWER	150 hp	111.9 kw
POWER MEASURED @	2000 rpm	
DISPLACEMENT	409 cu in	6.7 L

Operational

OPERATING WEIGHT	47800 lb	21681.7 kg
FUEL CAPACITY	97.7 gal	370 L
COOLING SYSTEM FLUID CAPACITY	6.9 gal	26 L
HYDRAULIC SYSTEM FLUID CAPACITY	60.8 gal	230 L
ENGINE OIL CAPACITY	5.3 gal	20 L
HYDRAULIC SYSTEM RELIEF VALVE PRESSURE	4970 psi	34266.9 kPa
HYDRAULIC PUMP FLOW CAPACITY	116.2 gal/min	440 L/min

Swing Mechanism

SWING SPEED	12.5 rpm	
SWING TORQUE	52735.7 lb ft	71500 Nm

Undercarriage

SHOE SIZE	31.5 in	800 mm
GROUND PRESSURE	4.9 psi	33.8 kPa
MAX TRAVEL SPEED	3.7 mph	6 km/h
DRAWBAR PULL	51500 lb	229.1 kN
TRACK GAUGE	7.8 ft in	2390 mm

Buckets

REFERENCE BUCKET CAPACITY	1.4 yd ³	1 m ³
MINIMUM BUCKET CAPACITY	0.91 yd ³	0.7 m ³
MAXIMUM BUCKET CAPACITY	1.8 yd ³	1.4 m ³

Boom/Stick Option (HEX) 1

BOOM/STICK OPTION (HEX) 1	Stick w/ arm 9'8" (2940mm)	
SHIPPING HEIGHT OF UNIT	9.9 ft in	3030 mm
SHIPPING LENGTH OF UNIT	31 ft in	9450 mm
MAX DIGGING DEPTH	22 ft in	6700 mm
MAX REACH ALONG GROUND	31.9 ft in	9730 mm
MAX CUTTING HEIGHT	31.9 ft in	9730 mm
MAX LOADING HEIGHT	22.7 ft in	6910 mm
MAX VERTICAL WALL DIGGING DEPTH	20 ft in	6100 mm

Boom/Stick Option (HEX) 2

BOOM/STICK OPTION (HEX) 2	Stick arm with 11'6" (3500mm)	
SHIPPING HEIGHT OF UNIT	10.4 ft in	3180 mm
SHIPPING LENGTH OF UNIT	31.2 ft in	9520 mm
MAX DIGGING DEPTH	23.8 ft in	7260 mm
MAX REACH ALONG GROUND	33.4 ft in	10170 mm
MAX CUTTING HEIGHT	32 ft in	9750 mm
MAX LOADING HEIGHT	22.9 ft in	6970 mm
MAX VERTICAL WALL DIGGING DEPTH	21.2 ft in	6470 mm

Dimensions

WIDTH TO OUTSIDE OF TRACKS	10.5 ft in	3190 mm
HEIGHT TO TOP OF CAB	9.6 ft in	2930 mm
GROUND CLEARANCE	1.5 ft in	450 mm
COUNTERWEIGHT CLEARANCE	3.5 ft in	1060 mm
TAIL SWING RADIUS	9 ft in	2750 mm
LENGTH OF TRACK ON GROUND	12 ft in	3660 mm

