

MGI Piling Australia Pty Ltd

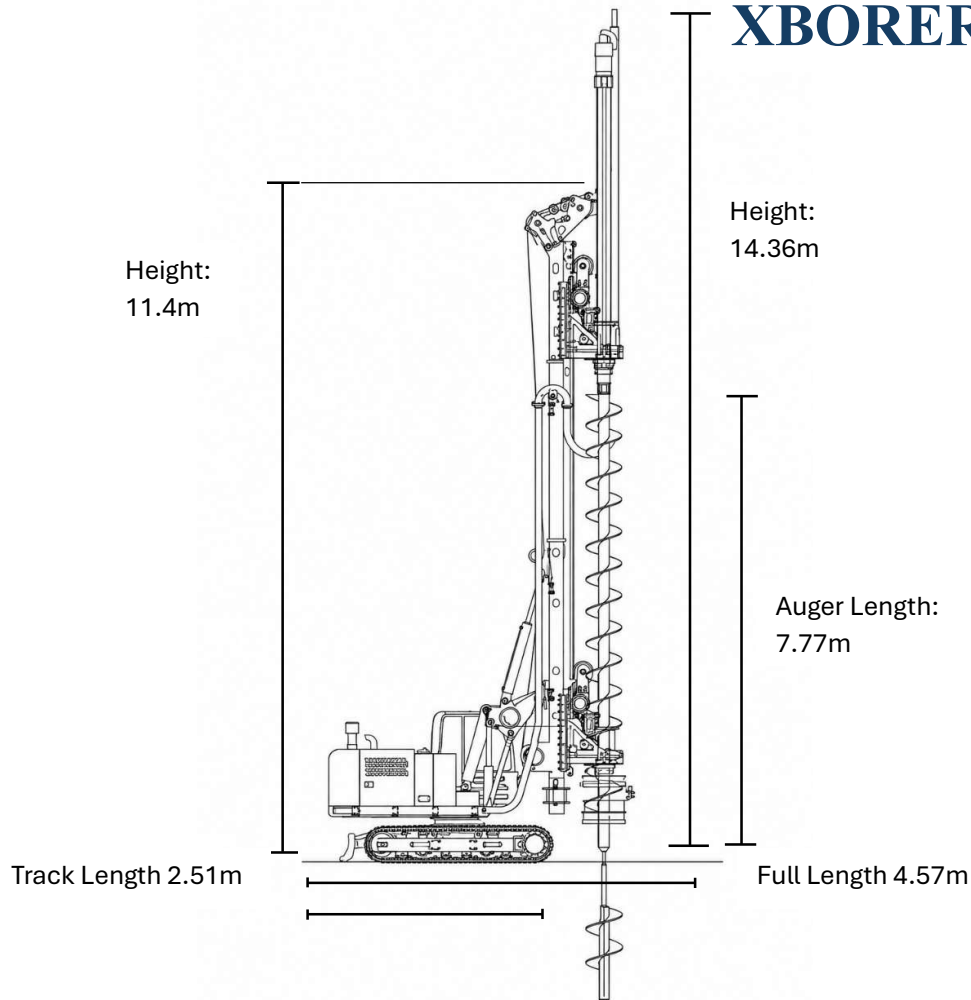
9 Enterprise Drive
Glendenning NSW 2761
Mobile: 0403 461 888

Bored Piers Grout Injection Piles Screw Piles
Restricted Access Specialists

ABN 20 612 664 810

37 Accolade Avenue
Morisset NSW 2264
info@mgipiling.com.au

XBORER FR45 CFA



MGI Piling Australia Pty Ltd

9 Enterprise Drive
Glendenning NSW 2761
Mobile: 0403 461 888

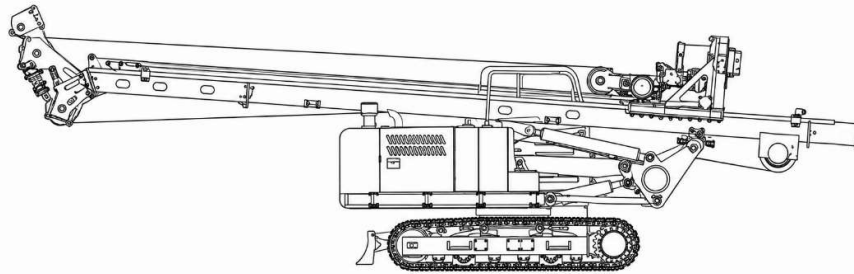
Bored Piers Grout Injection Piles Screw Piles
Restricted Access Specialists

ABN 20 612 664 810

37 Accolade Avenue
Morisset NSW 2264
info@mgipiling.com.au

XBORER FR45 CFA

Height:
3.26m



Length: 10.73m



MGI Piling Australia Pty Ltd

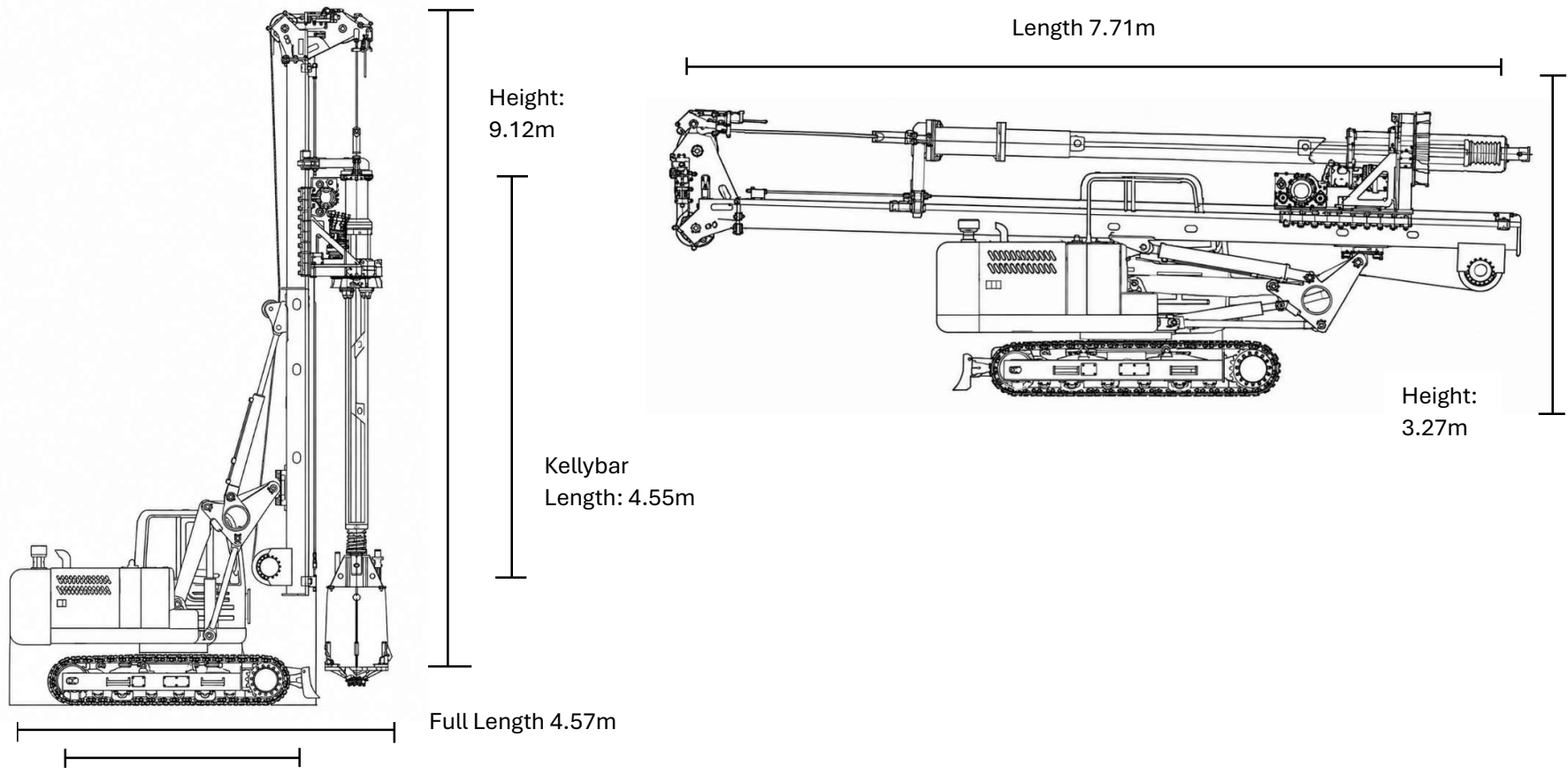
9 Enterprise Drive
Glendenning NSW 2761
Mobile: 0403 461 888

Bored Piers Grout Injection Piles Screw Piles
Restricted Access Specialists

ABN 20 612 664 810

37 Accolade Avenue
Morisset NSW 2264
info@mgipiling.com.au

XBORER FR45 BORED LONG MAST



MGI Piling Australia Pty Ltd

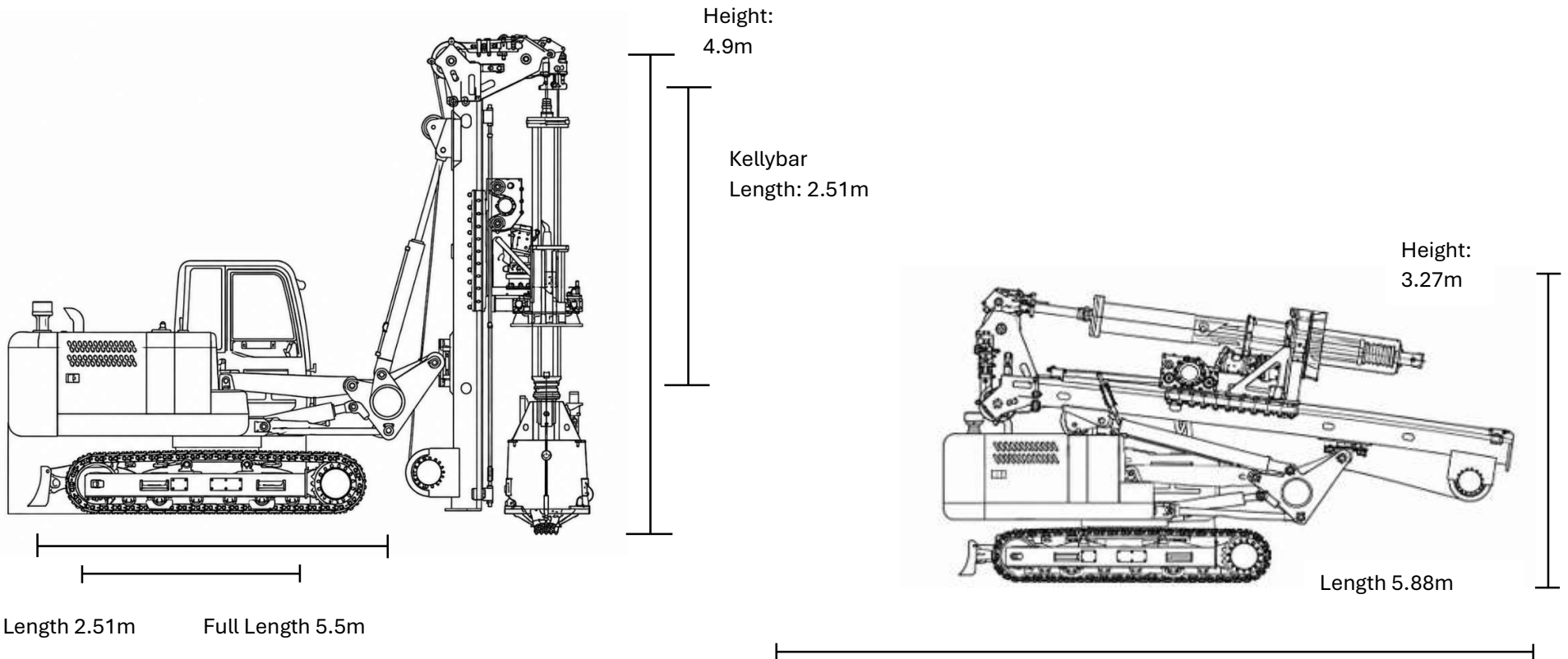
9 Enterprise Drive
Glendenning NSW 2761
Mobile: 0403 461 888

Bored Piers Grout Injection Piles Screw Piles
Restricted Access Specialists

ABN 20 612 664 810

37 Accolade Avenue
Morisset NSW 2264
info@mgipiling.com.au

XBORER FR45 BORED SHORT MAST



MGI Piling Australia Pty Ltd

9 Enterprise Drive
Glendenning NSW 2761
Mobile: 0403 461 888

*Bored Piers Grout Injection Piles Screw Piles
Restricted Access Specialists*

37 Accolade Avenue
Morisset NSW 2264
info@mgipiling.com.au

ABN 20 612 664 810

XBORER FR45 TECHNICAL INFORMATION

Engine	Rated Power	kW	70
	Rated Speed	rpm	2,200
Rotary Head	Maximum Output Torque	KN.m	45
	Drilling Speed	rpm	0 - 60
Max Drilling Diameter		mm	1,000
Max Drilling Depth	Kelly Mode	mm	15
	CFA Mode	mm	6 + 4.2
Chain Crowded	Maximum Pressure	kN	80
	Maximum Lifting Force	kN	90
	Maximum Crowd Stroke-kelly Mode	mm	5,000
	Maximum Crowd Stroke-CFA Mode	mm	6,800
Main Winch	Maximum Lifting Force	kN	60
	Maximum Lifting Speed	m/min	50
	Rope Diameter	mm	16
Auxillary Winch	Maximum Lifting Force	kN	15
	Maximum Lifting Speed	m/min	40
	Rope Diameter	mm	10
Mast Inclination		degrees	4°/4°/5°
Kelly Bar	Short		273/4*2.9m (8.5m)
	Long		273/4*4.5m (15m)

MGI Piling Australia Pty Ltd

9 Enterprise Drive
 Glendenning NSW 2761
 Mobile: 0403 461 888

Bored Piers Grout Injection Piles Screw Piles
Restricted Access Specialists

37 Accolade Avenue
 Morisset NSW 2264
 info@mgipiling.com.au

ABN 20 612 664 810

Chassis	Maximum Walking Speed	km/h	3
	Maximum Slewing Speed	rpm	5
	Chassis Width	mm	2300 - 2900
	Track Shoe Width	mm	450
Hydraulic System	Working Pressure	Mpa	28
Operating Weight	CFA or Long Kelly	kg	14,500
Overall Dimensions	Working State - Kelly Mode	mm	Short - 4,560*2,300*4,500 Tall - 4,560*2,300*8,790
	Working State - CFA Mode	mm	4,560*2,900*14,200
	Transport State	mm	7,200*2,300*3,000
Operating Weight		T	17
Max Bearing Pressure	Kelly Mode	Kpa	215
	CFA Mode	Kpa	227