

# MGI Piling Australia Pty Ltd

9 Enterprise Drive  
Glendenning NSW 2761  
Mobile: 0403 461 888

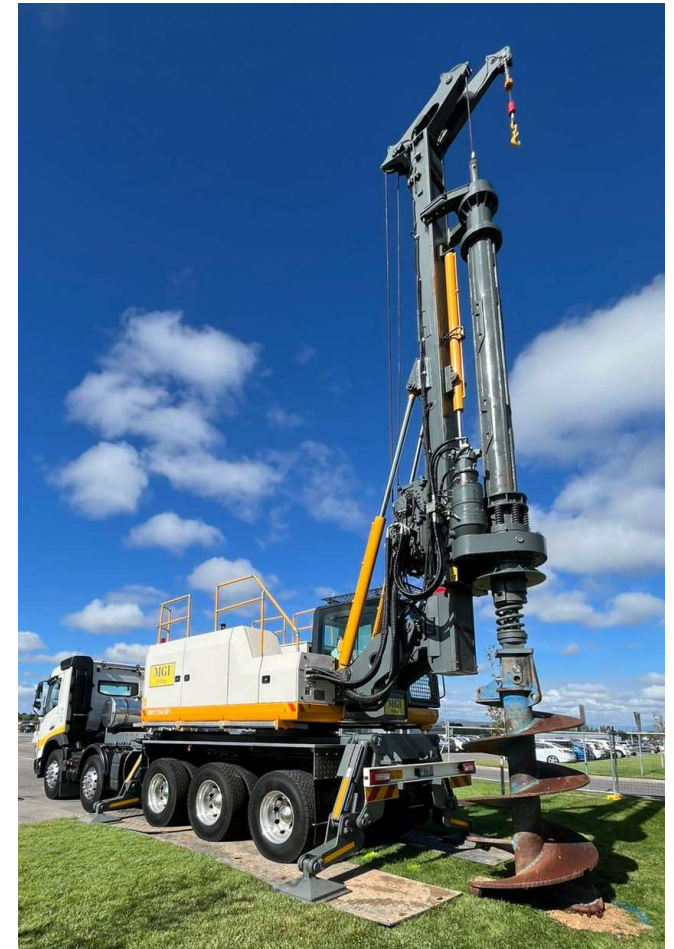
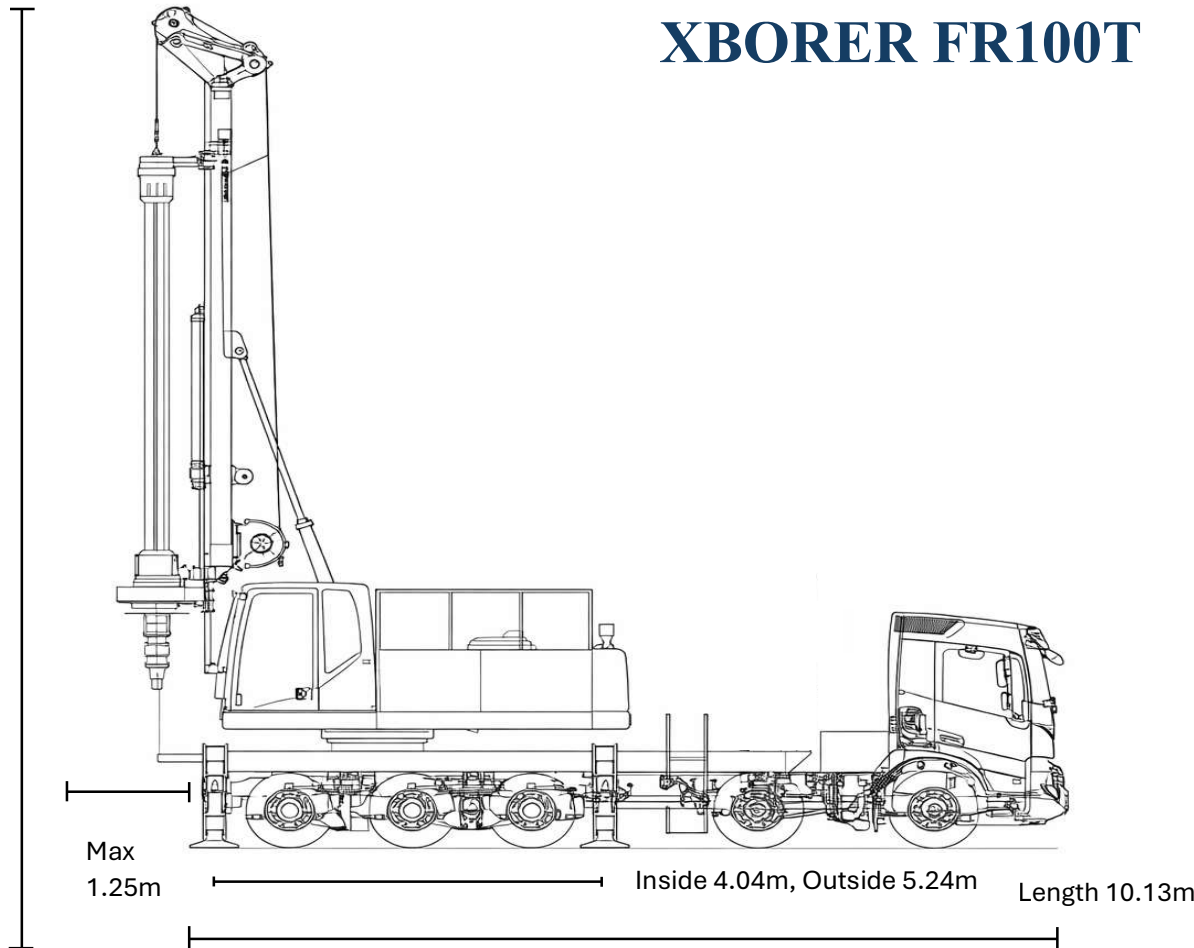
*Bored Piers   Grout Injection Piles   Screw Piles*  
*Restricted Access Specialists*

ABN 20 612 664 810

37 Accolade Avenue  
Morisset NSW 2264  
info@mgipiling.com.au

Height:  
11.65m

## XBORER FR100T



# MGI Piling Australia Pty Ltd

9 Enterprise Drive  
Glendenning NSW 2761  
Mobile: 0403 461 888

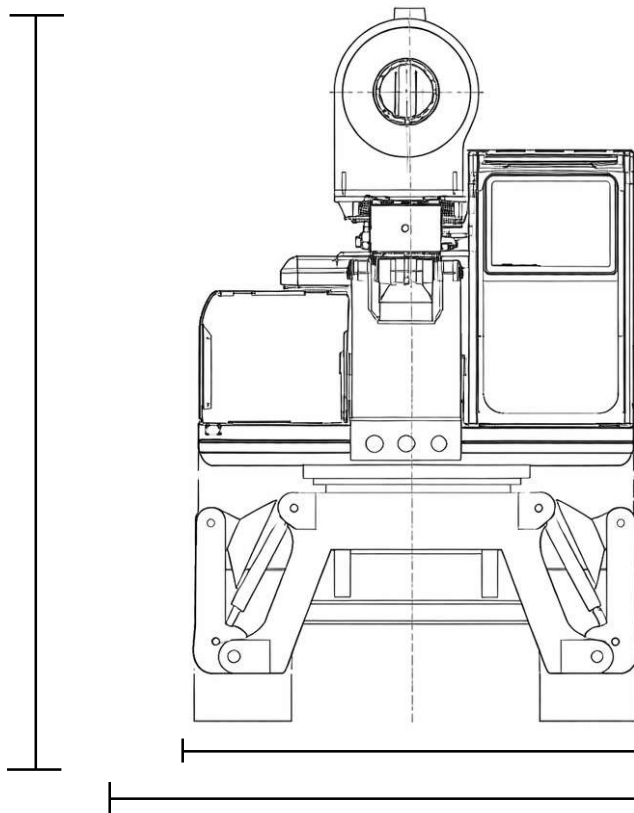
*Bored Piers   Grout Injection Piles   Screw Piles*  
*Restricted Access Specialists*

ABN 20 612 664 810

37 Accolade Avenue  
Morisset NSW 2264  
info@mgipiling.com.au

## XBORER FR100T

Height:  
4.275m



Min width: 2.5m

Max width including  
outriggers: 4.02m



# MGI Piling Australia Pty Ltd

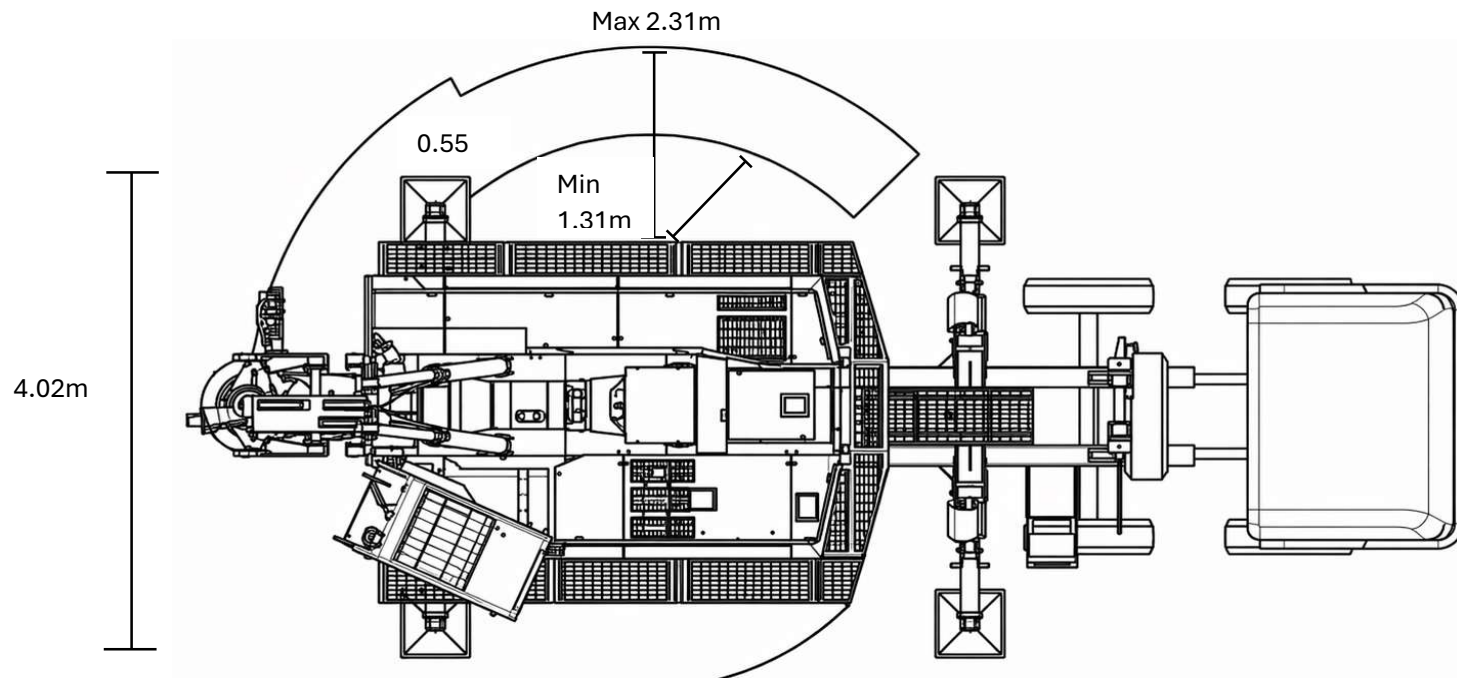
9 Enterprise Drive  
Glendenning NSW 2761  
Mobile: 0403 461 888

*Bored Piers   Grout Injection Piles   Screw Piles*  
*Restricted Access Specialists*

ABN 20 612 664 810

37 Accolade Avenue  
Morisset NSW 2264  
info@mgipiling.com.au

## XBORER FR100T



# **MGI** Piling Australia Pty Ltd

9 Enterprise Drive  
Glendenning NSW 2761  
Mobile: 0403 461 888

*Bored Piers   Grout Injection Piles   Screw Piles*  
*Restricted Access Specialists*

ABN 20 612 664 810

37 Accolade Avenue  
Morisset NSW 2264  
info@mgipiling.com.au

---

## **XBORER FR100T TECHNICAL INFORMATION**

<b>Diameter</b>	1500mm
<b>Max Depth</b>	19m
<b>Max Bearing Pressure</b>	600Kpa
<b>Operating Weight</b>	Approx 32.81t